



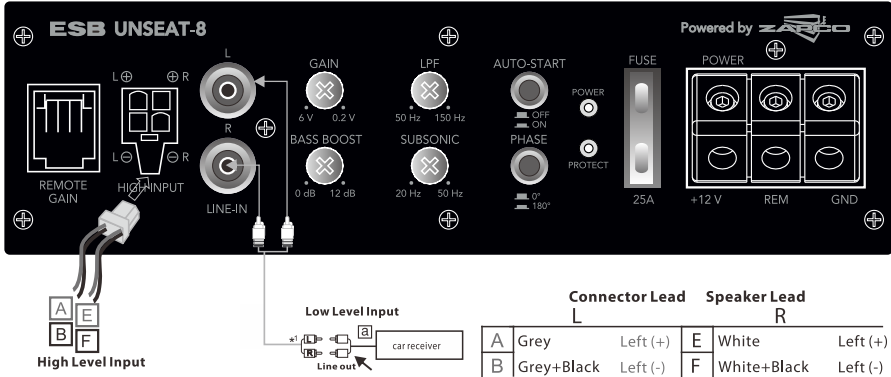
UNSEAT-8

Owner's Manual

**Unseat 8" Active Subwoofer
with Crossover**

Controls

The amplifier has low level input through RCA jacks and high level input through a four-pin modular connector. Low level inputs provide an exceptionally clean sound from a source unit through RCA cables. High level inputs make your amplifier virtually adaptable to any source unit with the use of speaker outputs. High level inputs should only be used when RCA outputs are not available. Under no circumstances should both low level and high level inputs be used simultaneously.



Low level inputs

Be careful when running your RCA patch cables. Car environment are notorious for poorly insulated wires. This means that hiss, engine noise, and fan noise can easily be picked up through RCA cables if run incorrectly. Avoid running your RCA's near large wire looms or electric fans if possible. Run your signal cables and your power cables on opposite sides of the vehicle.

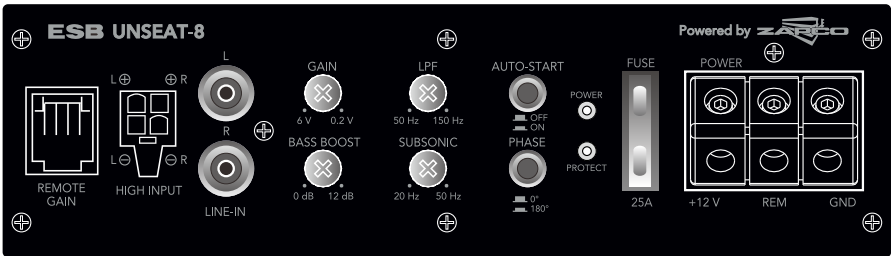
High level inputs

Use the high level inputs only if your audio source unit does not have low level outputs. These inputs may be connected to the closest left and right speaker wires available for greater convenience.

Gain control

This control allows you to match the input level of the amplifier to the output level of your source unit. Match the input in three simple steps: 1- Turn gain control all the way down. 2- Turn on the source unit and adjust it to 3/4 of the max volume. 3- Adjust the gain control until desired volume is achieved without audible distortion. Remember, the gain control is not a volume knob. Ignoring the three steps above may leave you with damaged speakers and probably a damaged amplifier.

Controls




Auto Power On with Smart Sense

The auto power on feature works only with high level input. Amplifier will detect high input signal and turn ON / turn OFF automatically. The REM (+12V turn-on) terminal should not be connected when using the smart sense power on feature.

Subsonic filter

Set the subsonic filter knob anticlockwise to filter out low frequencies up to 50 Hz.

Phase control

Set the phase control switch to select phase of the amplifier output signal 

Remote gain

User can use external remote control to imitate function of gain control knob

Bass boost

For adding low pass response, rotate the knob clockwise to add 0-12 dB of boost centering around 50 Hz

Low pass filter

Rotate this knob clockwise to set the required low frequency response from 50 to 150 Hz

Troubleshooting

For more details, consult your ESB dealer.

The power LED does not light

1. Check if the fuse is blown.
2. Check if the ground lead is connected securely to a metal part of the car.
3. Make sure that the equipment connected to this unit is turned on.
4. Use a turn-on relay if your system employs too many amplifiers.
5. Confirm the battery voltage (11V to 16V).

The protect LED glows red and/or the unit heats up abnormally

Leave the unit turned off for a while as it cools down.

No sound is heard

1. Check if the amplifier is powered on (Power LED glows green).
2. Make sure that the remote turn-on line lead is connected correctly.
3. Make sure RCA pin cords are connected to low input jacks
4. Make sure the speaker input connector from the receiver is connected to the high input terminal.
5. Check if the amplifier is grounded.

Alternator noise is heard

1. Keep the power connection leads away from the RCA signal cables.
2. Keep the RCA signal cables away from other electrical wires in the car.
3. Check in high level input connector ground wire is properly grounded to metal part of the car.
4. Check head unit body is properly grounded with metal part of the car.
5. Check if the negative speaker leads are touching the car chassis.
6. Check if the noise originates in the receiver.
7. Replace the plugs or use plugs with load resistors.
8. Connect a bypass capacitor across the accessory switches (horn, fan, etc.).

Noise when connected to AM(MW/LW) tuner

Move the power leads away from the antenna (aerial) lead.

Distorted audio

1. Check if input level is set properly.
2. Check if amplifier of source unit is defective.

Specifications

P.W.M.		v
Input sensitivity, RCA level		0.2 V - 6 V
Input sensitivity, HIGH level		1V
Remote Control for Subwoofer level		v
Phase switch		0 - 180°
Bass Boost		0 - 12 dB
Subsonic filter		20 - 50 Hz
LPF filter		50 - 150 Hz
T.H.D.		< 0.38 %
RMS power		170 W
MAX power		250 W
High level auto power on		v
Soft delayed remote turn-on		v
Protection	Thermal	v
	Short	v
Illumination LED		Green/Power - Red/Prot.
S/N ratio		> 88 dB
Frequency response		15 - 125 Hz
Fuse rating		25 A
Slim woofer		8" (2 ohms)
Dimensions in centimeters (L x H x W)		35.5 x 8.1 x 25.2